



FOR USE WITH PANDUIT® TYPE P SURFACE RACEWAY

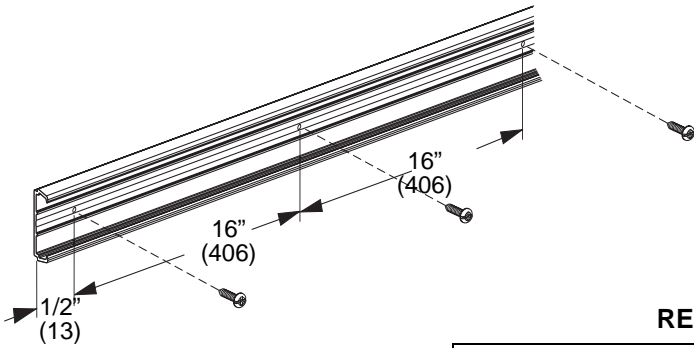
PAN-WAY™ TYPE P NON-METALLIC ROUTING SYSTEM SURFACE RACEWAY SYSTEM

PART NUMBERS: PD3, PD6, PTF, PICF, POCF, PRAF, PECF,
PCF, PEEF36, PRJBX36

INSTALLATION INSTRUCTIONS

©Panduit Corp. 1998

Made in U.S.A.

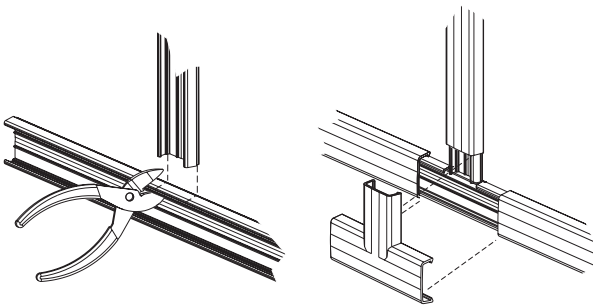


The mounting hardware used to secure the raceway shall be appropriate for the mounting surface.

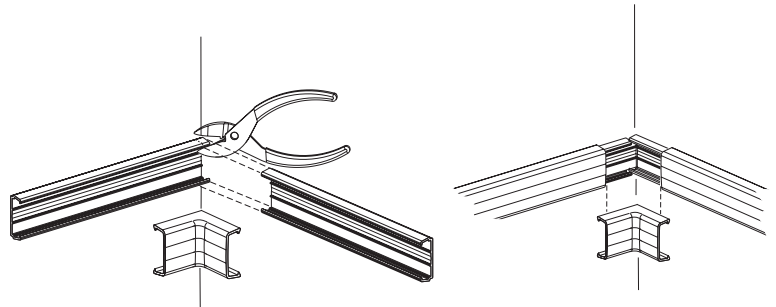
RECOMMENDED WIRE CAPACITIES

PART NUMBER	FILL CAPACITIES WITHOUT DEVICES					
	14 AWG		12 AWG		10 AWG	
	THHN/T90	THW/TW	THHN/T90	THW/TW	THHN/T90	THW/TW
PD3	5	4	4	3	-	-
PD6	10	6	7	4	5	4

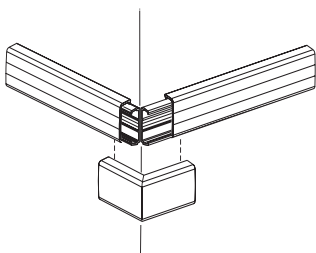
TEE FITTING



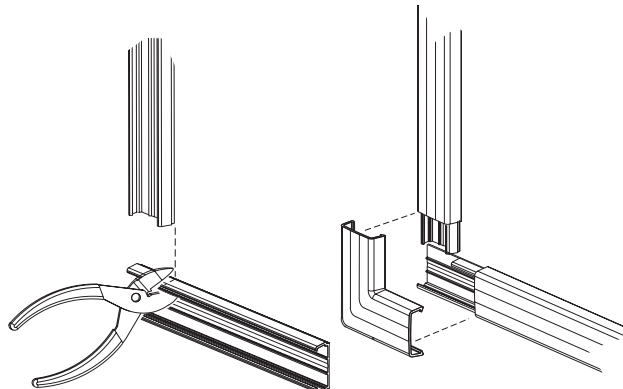
INSIDE CORNER FITTING



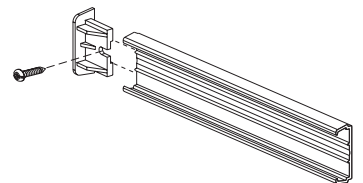
OUTSIDE CORNER FITTING



RIGHT ANGLE FITTING



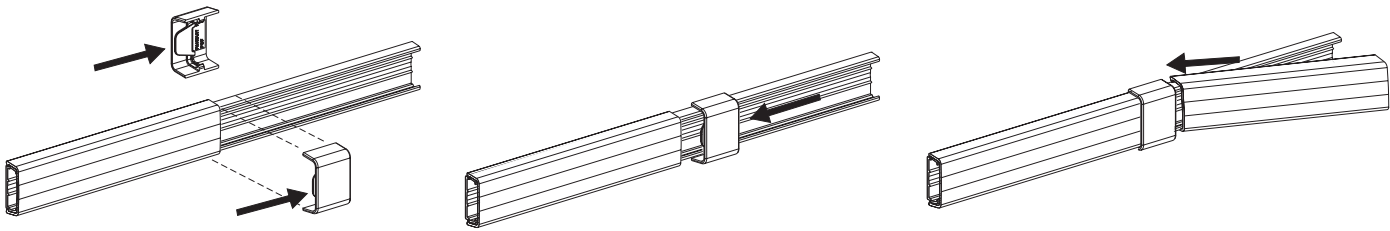
END CAP



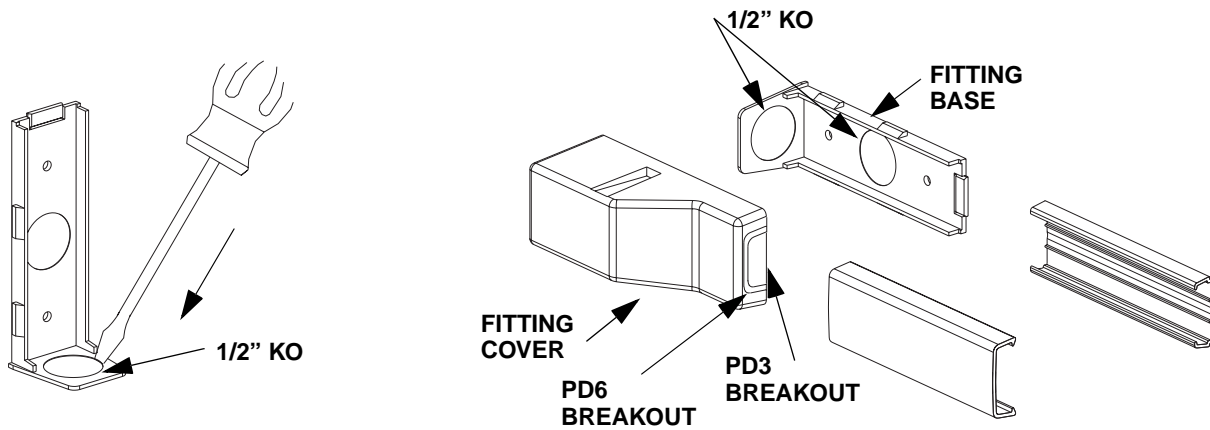
For Technical Assistance call: 888-506-5400, Ext. 8287

TYPE P NON-METALLIC SURFACE RACEWAY INSTALLATION INSTRUCTIONS

COUPLER FITTING



ENTRANCE END FITTING



POWER RATED ROUND JUNCTION BOX

NOTE: THE RECOMMENDED SCREW TO SECURE COVER TO BASE IS #8 - 32.

